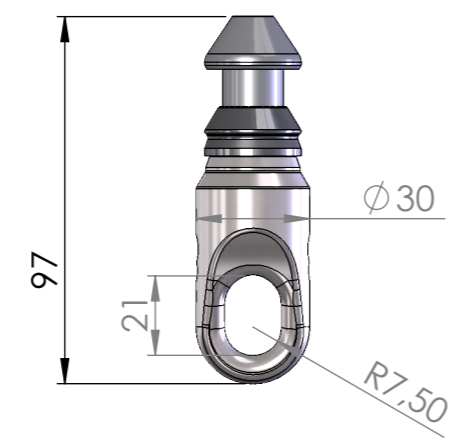
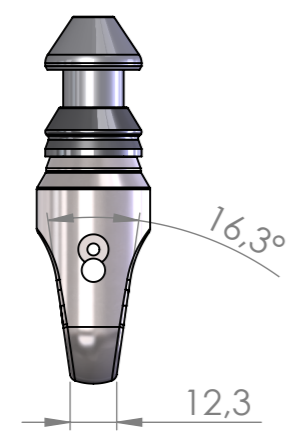
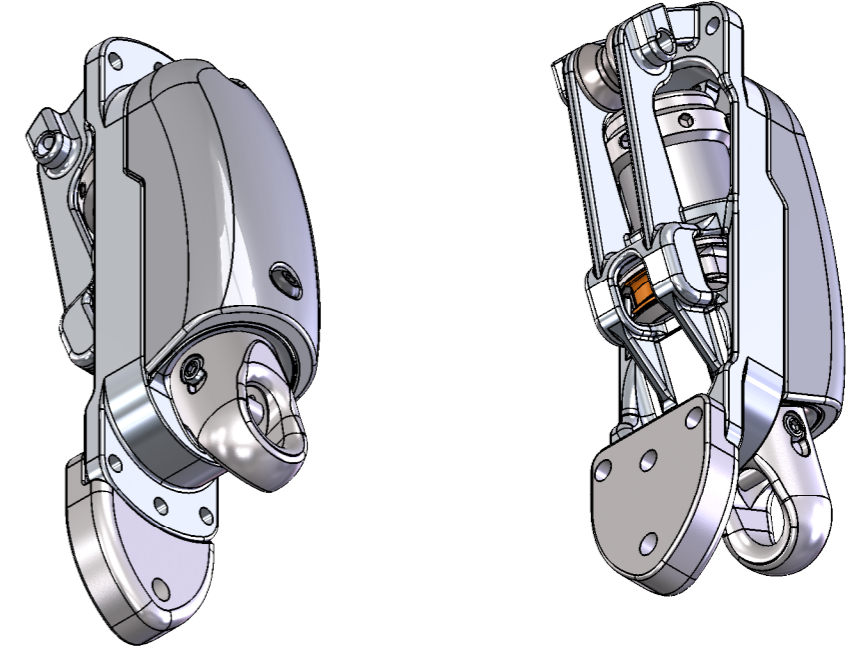



This plastic part can easily be removed for servicing



Weight: 1057g Titanium version
1167g Stainless steel

DATE	VERSION	MATERIAL	WEIGHT	SCALE
31/05/2017				1/2
MODEL		SAFE WORKING LOAD CHARGE DE TRAVAIL	5T	 www.karver-systems.com
KMh5 [15mm]		BREAKING LOAD CHARGE DE RUPTURE	10T	
PART NUMBER: PF370005 [15]				MORE INFOS ON WWW.KARVER-SYSTEMS.COM FORMAT A4